

ICE CART

GELATO

ICE CART BOX4



Static



Temperature -16~-18 C



Environmental Condition +30 C /60%RH

Mobile gelato mini shop $\leq 3\text{m}^2$

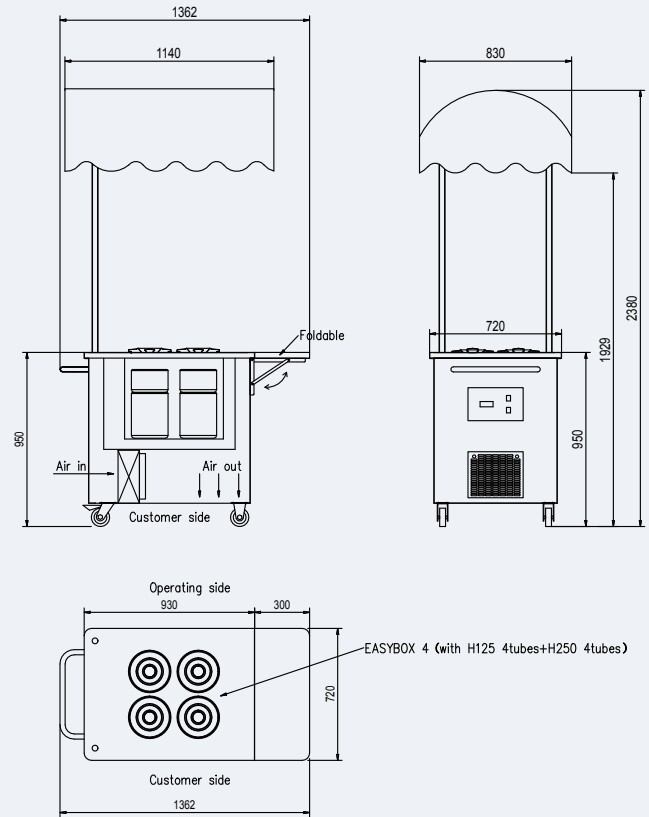
TECHNICAL SPECIFICATIONS AND PRODUCT RANGE

AESTHETIC AND FRAMEWORK

- Single glasses
- Meet the needs of different ice cream professionals
- Customized panel and umbrella (RAL color and logo optional)
- Small size, low energy consumption, large storage space

TECHNOLOGY

- Cooling system with hermetic compressor for incorporated air-cooling condensing units
- Electronic check panel with digital thermometer and thermostat
- With wheels, easy to move



Model

Dimensions
L*W*H (mm)

Weight
(Net / Gross)(Kg)

Voltage
V/Ph/Hz

Input power
(W)

IICE CART BOX4

1362*830*2380

130/180

230/1/50

770

Create happiness for
your business life



QINGDAO CLABO EASYBEST REFRIGERATION EQUIPMENT CO.,LTD.

TEL: +86-532-55677991

Free Service Call

400-069-6799

Service Hotline: +86-15969849257

E-mail: info@qdeasybest.com

[Http://www.qdeasybest.com](http://www.qdeasybest.com)

[Http://easybestcn.1688.com](http://easybestcn.1688.com)

No.2 Ronghai Road

Jihongtan Street,Chengyang

District ,Qingdao Shandong,

China 266109



EasyBest官网



EasyBest客户之家